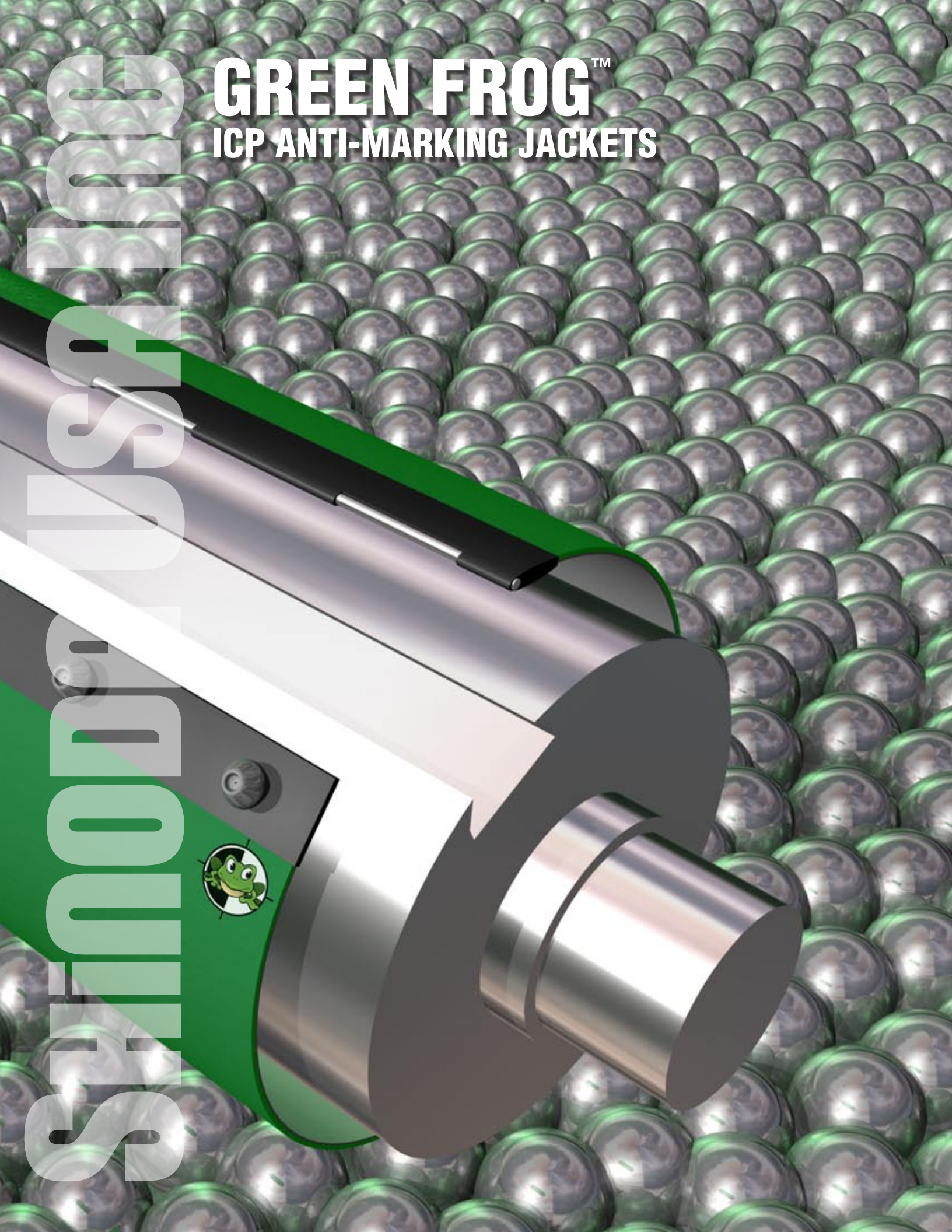


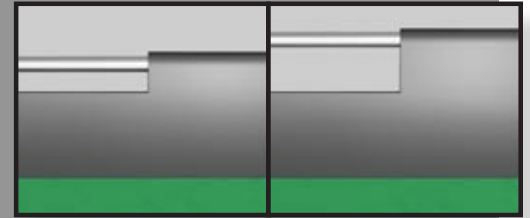
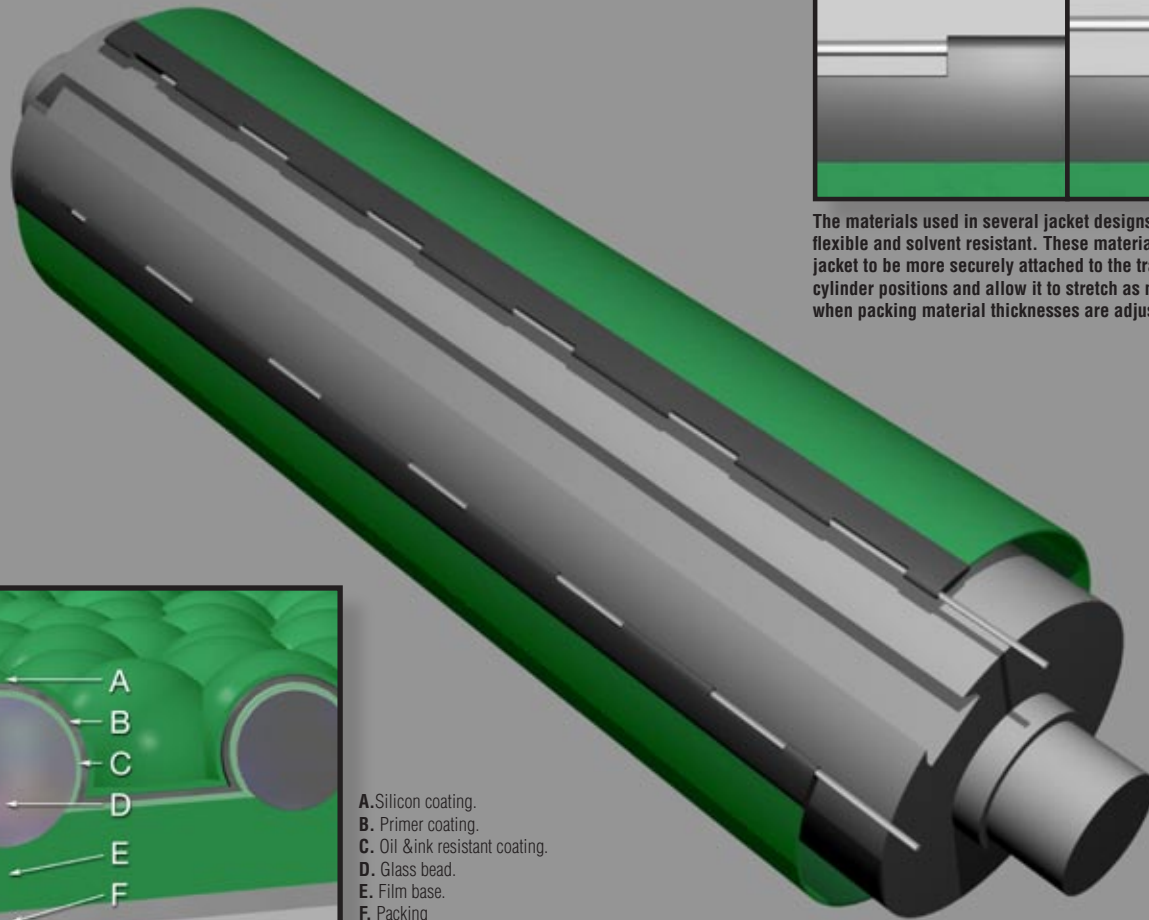
# GREEN FROG™

ICP ANTI-MARKING JACKETS

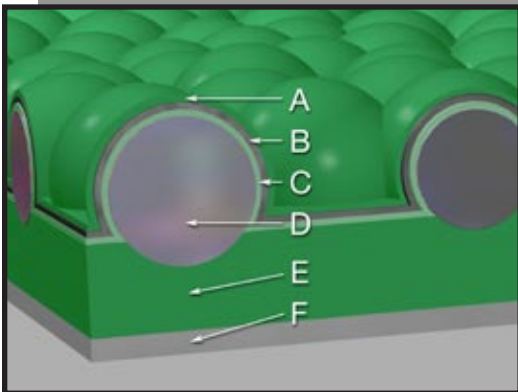


Green Frog  
ICP  
Anti-Marking  
Jackets

**T**oday's highly competitive print market demands the best and most cost effective anti-marking solutions for your presses. **Green Frog™ ICP Anti-Marking Jackets** are manufactured with high performance triple-coated silicon glass bead technology. These microscopic silicon coated glass beads and ink repellent silicon top coating virtually eliminate marking issues during the transfer of freshly printed substrates between printing units.

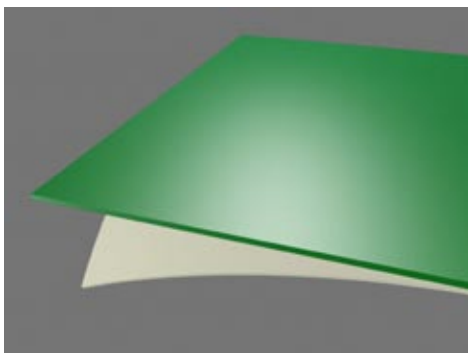


The materials used in several jacket designs are extremely flexible and solvent resistant. These materials allow the jacket to be more securely attached to the transfer/delivery cylinder positions and allow it to stretch as necessary, even when packing material thicknesses are adjusted.



- A. Silicon coating.
- B. Primer coating.
- C. Oil & ink resistant coating.
- D. Glass bead.
- E. Film base.
- F. Packing

**Green Frog™ ICP Anti-Marking Jackets** are manufactured to adapt to your specific press model and position with no alterations required. The jackets are designed to install quickly and easily onto the transfer or delivery cylinder positions utilizing the OEM clamping systems. These high quality jackets are hand-made by skilled craftsman insuring a perfect fit that provides a long service life and eliminating marking issues.



The flexible and resilient anti-marking film used in the jacket construction is backed by a soft, heat and solvent resistant packing material that insures proper support of the printed substrate during the transferring process.

The silicon coated glass beads used in the **Green Frog™ ICP Anti-Marking Jackets** are the perfect solution to eliminating marking issues during the transfer process between printing units. They provide the smallest surface area contact with the printed surface. The silicon top coating reduces the amount of ink build up caused by friction and allows easy cleaning of the surface. The uniform diameter of the silicon coated glass beads and dense matrix application help reduce and eliminate friction, a major cause of marking issues.

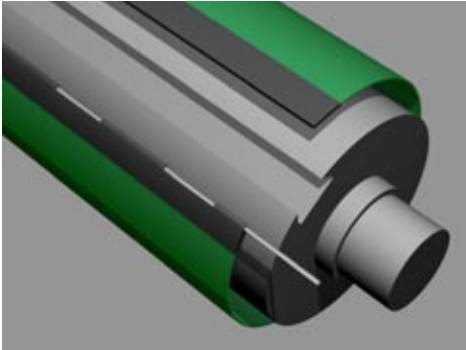


**Green Frog™ ICP Anti-Marking Jackets** – These jackets are delivered ready to install, and will adapt to any Heidelberg® transfer or delivery position.

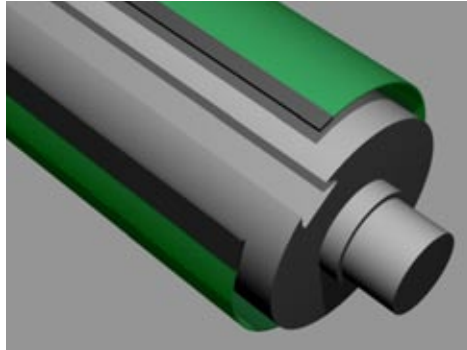
**Quick and Easy Installation** – The Green Frog™ ICP Anti-Marking Jackets are pre-constructed specifically for your Heidelberg® press model and position, depending on the OEM clamping mechanism. Installation is quick and easy, simply remove the existing OEM (or after-market) jacket and install the Green Frog™ ICP Anti-Marking Jacket in the same manner as the original equipment that was removed, no need for any additional hardware or special tools.

**Simple Cleaning** – The superior quality materials used in the construction of our jackets make cleaning the surface a snap. Simply apply a water based solvent to a lint-free cloth and wipe using minimal force.

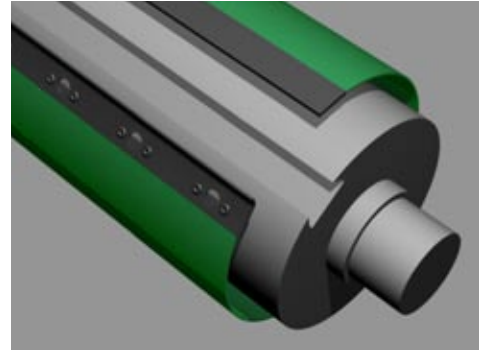
**Long life** – Superior craftsmanship and the highest quality materials available insure a long life. The film surface is extremely resilient and can handle the intense stresses of printing long-term.



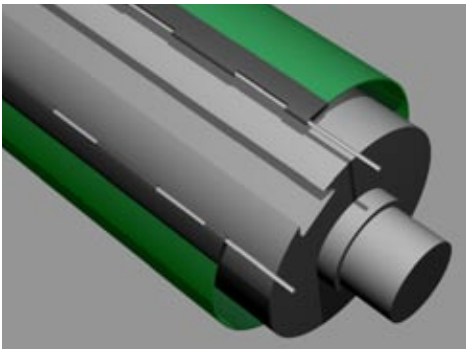
**Bar to Rod Design**  
Heidelberg® GTO 46/52 – MO 65



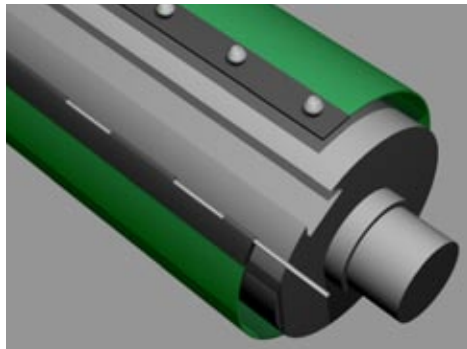
**Bar to Bar Design**  
Heidelberg® SM 52



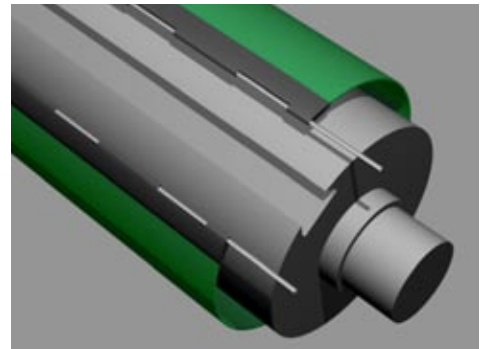
**Bar to Slot Design**  
Heidelberg® SM 74



**Rod to Rod Design**  
Heidelberg® SM 72 / SM 102

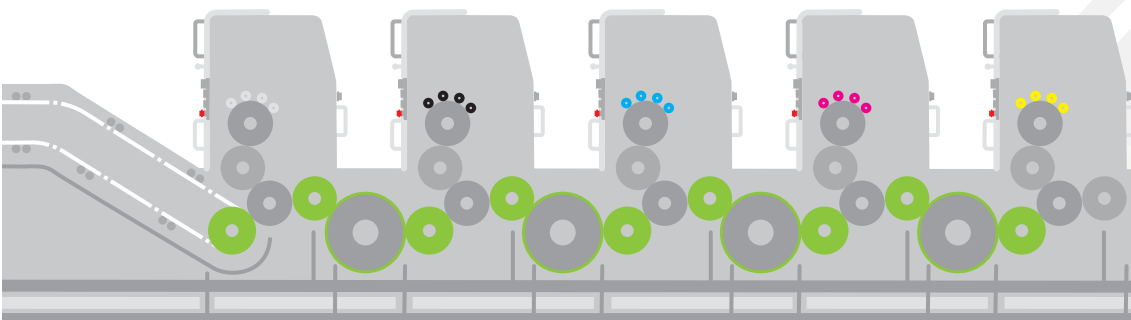


**Rod to Pin Design**  
Heidelberg® SM 102



**Rod to Rod Design**  
Heidelberg® Delivery Position  
(Requires HDM Factory Delivery Cylinder)

**The Green Frog™ ICP-S Anti-Marking Film** – material used on all jackets is a triple coated high performance anti-marking film that provides long life and the lowest maintenance of all the anti-marking films we offer. This material uses uniform diameter, silicon coated glass beads in a dense matrix that greatly enhances the ink repelling properties. The silicone coated glass beads are sealed to the surface of the film using multiple layers of an oil and ink resistant adhesive with a primer and a silicon top coating. This manufacturing process provides a higher ink repellent surface that helps eliminate sheet marking and is easy to clean. The life expectancy of this material varies with application and maintenance, but has been known to last for as long as \*two years between changes, average life in most applications is 3 to 6 months between replacement.



Green Frog™ ICP Anti-Marking Jackets can be applied to all wet side transfer and delivery positions.

A typical press installation is shown, the green cylinders indicate all the positions the Green Frog™ ICP Anti-Marking Jackets can be applied.

Perfector Models – Our ICP Anti-Marking Films can also be applied to the double transfer positions on Perfector Models (green outline).



# SHINODA USA Inc

The original anti-marking film supplier  
[www.shinoda-usa.com](http://www.shinoda-usa.com)

1131 S. Airport Circle, Suite 120  
Eules, Texas 76040 USA  
Tele: 817-886-9250  
FAX: 817-886-9251